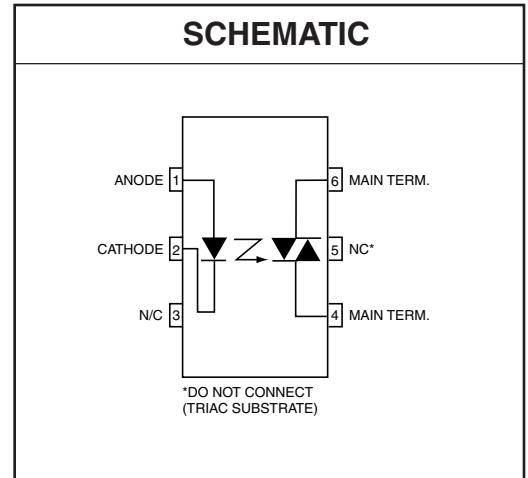
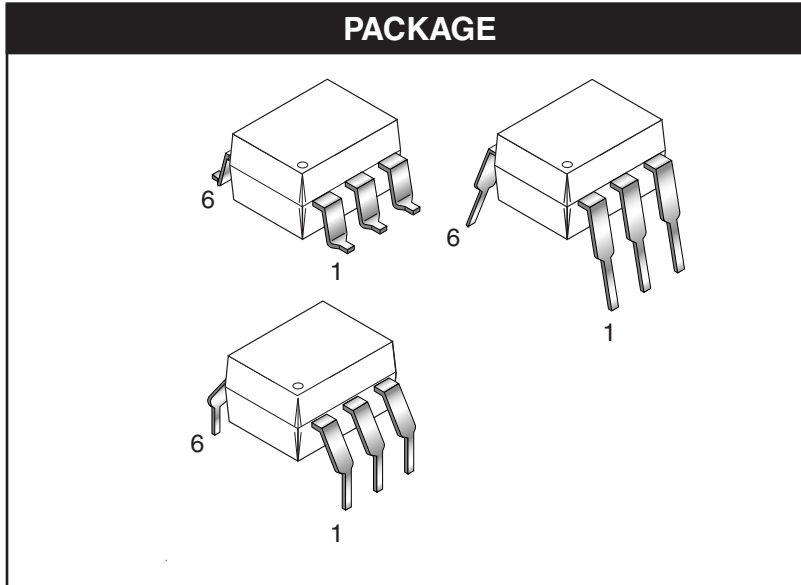


MOC3010M MOC3011M MOC3012M MOC3020M MOC3021M MOC3022M MOC3023M



DESCRIPTION

The MOC301XM and MOC302XM series are optically isolated triac driver devices. These devices contain a GaAs infrared emitting diode and a light activated silicon bilateral switch, which functions like a triac. They are designed for interfacing between electronic controls and power triacs to control resistive and inductive loads for 115/240 VAC operations.

FEATURES

- Excellent I_{FT} stability—IR emitting diode has low degradation
- High isolation voltage—minimum 5300 VAC RMS
- Underwriters Laboratory (UL) recognized—File #E90700
- Peak blocking voltage
 - 250V-MOC301XM
 - 400V-MOC302XM
- VDE recognized (File #94766)
 - Ordering option V (e.g. MOC3023VM)

APPLICATIONS

- Industrial controls
- Traffic lights
- Vending machines
- Solid state relay
- Lamp ballasts
- Solenoid/valve controls
- Static AC power switch
- Incandescent lamp dimmers
- Motor control

MOC3010M MOC3011M MOC3012M MOC3020M MOC3021M MOC3022M MOC3023M

ABSOLUTE MAXIMUM RATINGS ($T_A = 25^\circ\text{C}$ unless otherwise noted)				
Parameters	Symbol	Device	Value	Units
TOTAL DEVICE				
Storage Temperature	T_{STG}	All	-40 to +150	$^\circ\text{C}$
Operating Temperature	T_{OPR}	All	-40 to +85	$^\circ\text{C}$
Lead Solder Temperature	T_{SOL}	All	260 for 10 sec	$^\circ\text{C}$
Junction Temperature Range	T_J	All	-40 to +100	$^\circ\text{C}$
Isolation Surge Voltage ⁽¹⁾ (peak AC voltage, 60Hz, 1 sec duration)	V_{ISO}	All	7500	Vac(pk)
Total Device Power Dissipation @ 25°C Derate above 25°C	P_D	All	330	mW
			4.4	mW/ $^\circ\text{C}$
EMITTER				
Continuous Forward Current	I_F	All	60	mA
Reverse Voltage	V_R	All	3	V
Total Power Dissipation 25°C Ambient Derate above 25°C	P_D	All	100	mW
			1.33	mW/ $^\circ\text{C}$
DETECTOR				
Off-State Output Terminal Voltage	V_{DRM}	MOC3010M/1M/2M MOC3020M/1M/2M/3M	250 400	V
Peak Repetitive Surge Current (PW = 1 ms, 120 pps)	I_{TSM}	All	1	V
Total Power Dissipation @ 25°C Ambient Derate above 25°C	P_D	All	300	mW
			4	mW/ $^\circ\text{C}$

Note

1. Isolation surge voltage, V_{ISO} , is an internal device dielectric breakdown rating. For this test, Pins 1 and 2 are common, and Pins 4, 5 and 6 are common.

MOC3010M MOC3011M MOC3012M MOC3020M MOC3021M MOC3022M MOC3023M

ELECTRICAL CHARACTERISTICS ($T_A = 25^\circ\text{C}$ Unless otherwise specified)

INDIVIDUAL COMPONENT CHARACTERISTICS

Parameters	Test Conditions	Symbol	Device	Min	Typ	Max	Units
EMITTER							
Input Forward Voltage	$I_F = 10\text{ mA}$	V_F	All		1.15	1.5	V
Reverse Leakage Current	$V_R = 3\text{ V}, T_A = 25^\circ\text{C}$	I_R	All		0.01	100	μA
DETECTOR							
Peak Blocking Current, Either Direction	Rated $V_{\text{DRM}}, I_F = 0$ (note 1)	I_{DRM}	All		10	100	nA
Peak On-State Voltage, Either Direction	$I_{\text{TM}} = 100\text{ mA peak}, I_F = 0$	V_{TM}	All		1.8	3	V

TRANSFER CHARACTERISTICS ($T_A = 25^\circ\text{C}$ Unless otherwise specified.)

DC Characteristics	Test Conditions	Symbol	Device	Min	Typ	Max	Units
LED Trigger Current	Voltage = 3V (note 3)	I_{FT}	MOC3020M			30	mA
			MOC3010M			15	
			MOC3021M				
			MOC3011M			10	
			MOC3022M				
			MOC3012M			5	
			MOC3023M				
Holding Current, Either Direction		I_H	All		100		μA

Note

1. Test voltage must be applied within dv/dt rating.
2. This is static dv/dt. See Figure 5 for test circuit. Commutating dv/dt is a function of the load-driving thyristor(s) only.
3. All devices are guaranteed to trigger at an I_F value less than or equal to max I_{FT} . Therefore, recommended operating I_F lies between max I_{FT} (30 mA for MOC3020M, 15 mA for MOC3010M and MOC3021M, 10 mA for MOC3011M and MOC3022M, 5 mA for MOC3012M and MOC3023M) and absolute max I_F (60 mA).

MOC3010M MOC3011M MOC3012M MOC3020M MOC3021M MOC3022M MOC3023M

Fig. 1 LED Forward Voltage vs. Forward Current

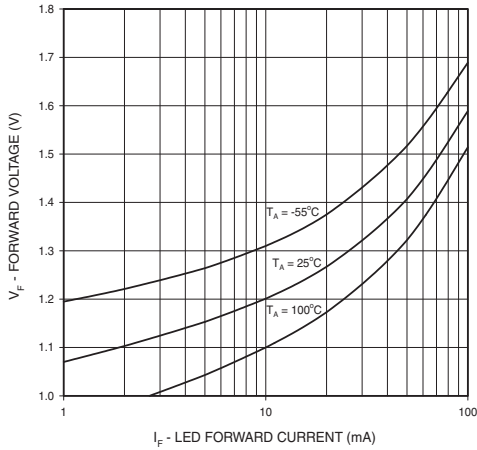


Fig. 2 On-State Characteristics

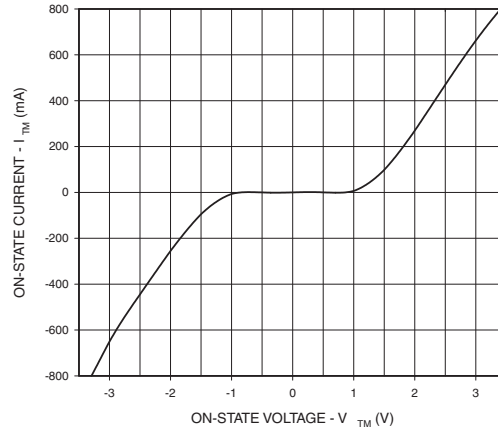


Fig. 3 Trigger Current vs. Ambient Temperature

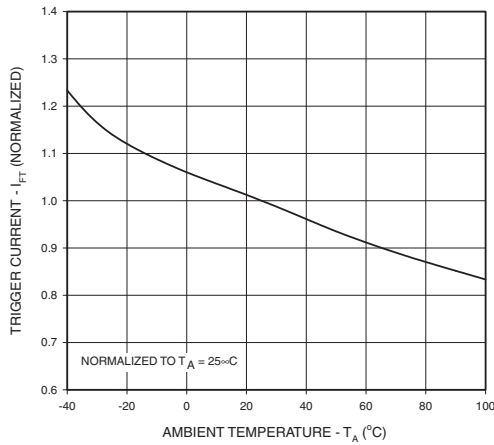


Fig. 4 LED Current Required to Trigger vs. LED Pulse Width

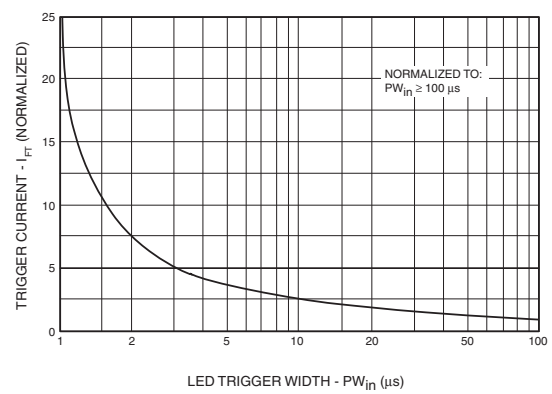


Fig. 5 dv/dt vs. Temperature

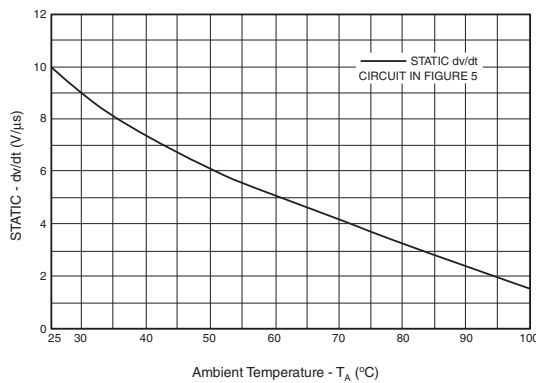
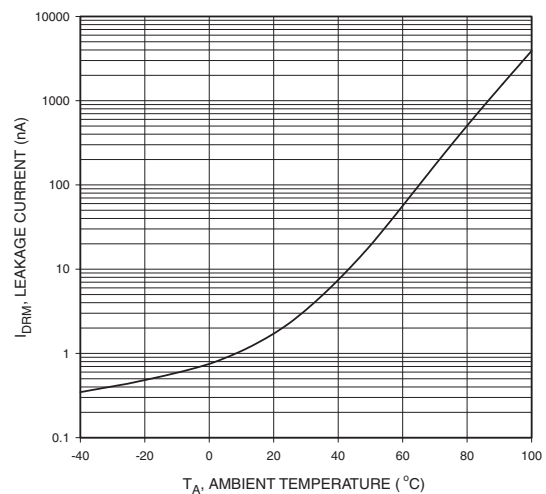
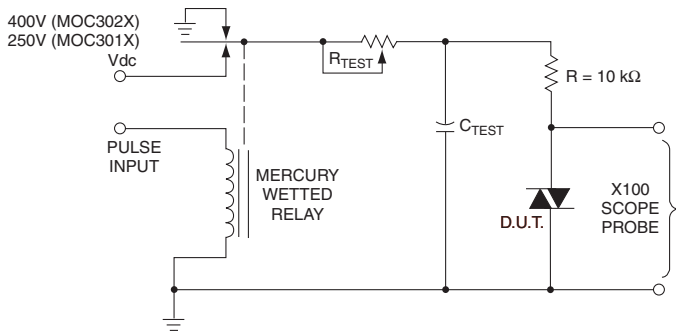


Fig. 6 Leakage Current, I_{DRM} vs. Temperature



MOC3010M MOC3011M MOC3012M MOC3020M MOC3021M MOC3022M MOC3023M



1. The mercury wetted relay provides a high speed repeated pulse to the D.U.T.
2. 100x scope probes are used, to allow high speeds and voltages.
3. The worst-case condition for static dv/dt is established by triggering the D.U.T. with a normal LED input current, then removing the current. The variable R_{TEST} allows the dv/dt to be gradually increased until the D.U.T. continues to trigger in response to the applied voltage pulse, even after the LED current has been removed. The dv/dt is then decreased until the D.U.T. stops triggering. τ_{RC} is measured at this point and recorded.

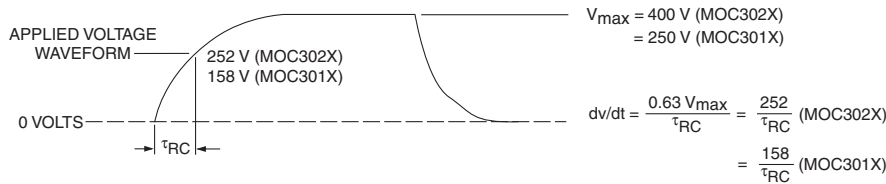


Figure 5. Static dv/dt Test Circuit

Note: This optoisolator should not be used to drive a load directly. It is intended to be a trigger device only.

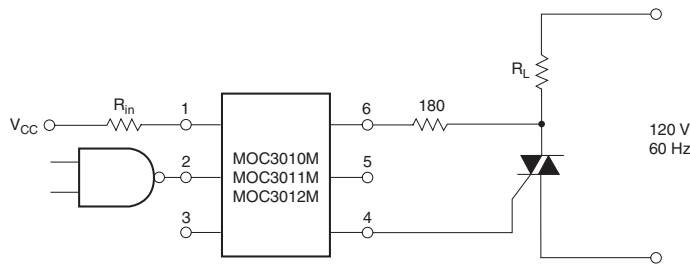


Figure 6. Resistive Load

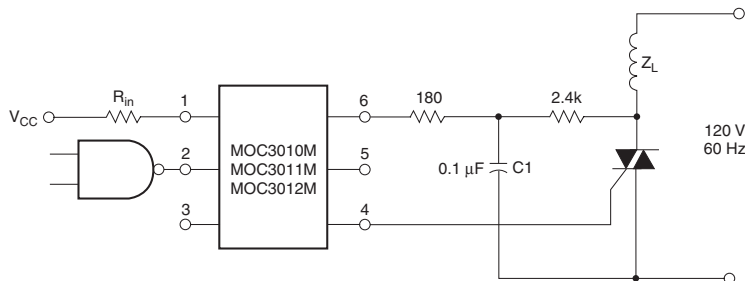


Figure 7. Inductive Load with Sensitive Gate Triac ($I_{GT} \leq 15 \text{ mA}$)

MOC3010M MOC3011M MOC3012M MOC3020M MOC3021M MOC3022M MOC3023M

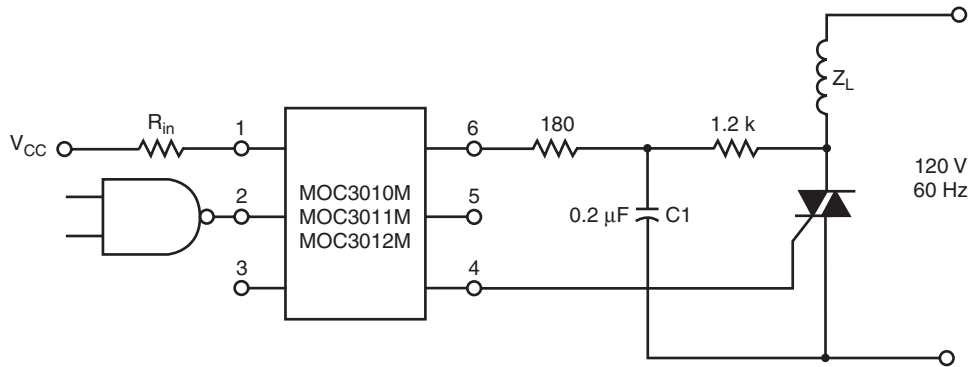
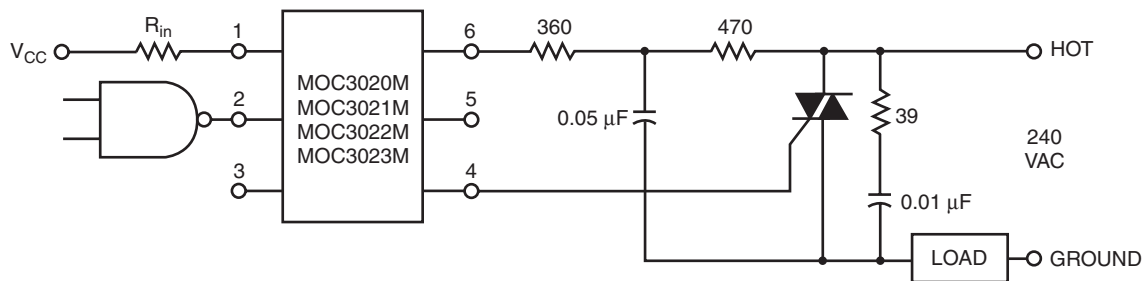


Figure 8. Inductive Load with Sensitive Gate Triac ($I_{GT} \leq 15 \text{ mA}$)



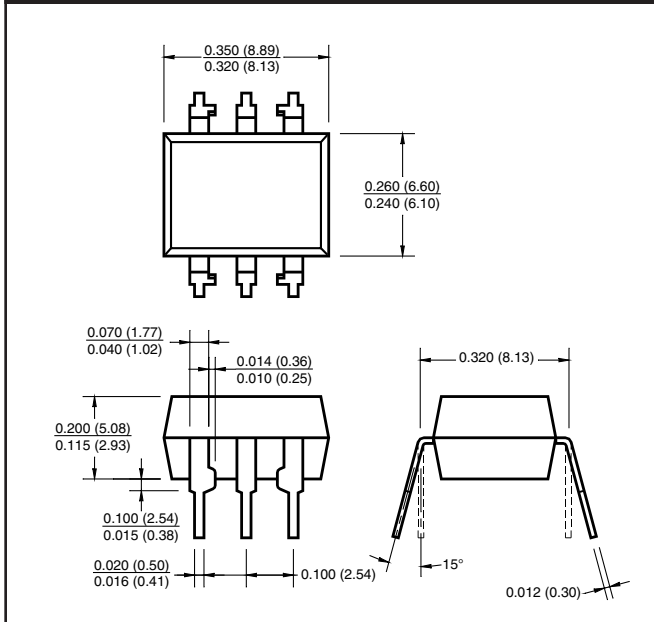
In this circuit the "hot" side of the line is switched and the load connected to the cold or ground side.

The 39 ohm resistor and 0.01 μF capacitor are for snubbing of the triac, and the 470 ohm resistor and 0.05 μF capacitor are for snubbing the coupler. These components may or may not be necessary depending upon the particular and load used.

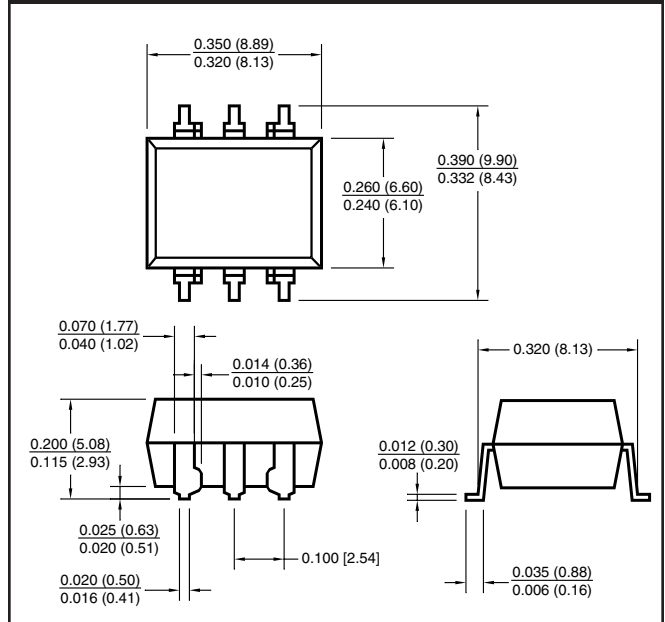
Figure 9. Typical Application Circuit

MOC3010M MOC3011M MOC3012M MOC3020M MOC3021M MOC3022M MOC3023M

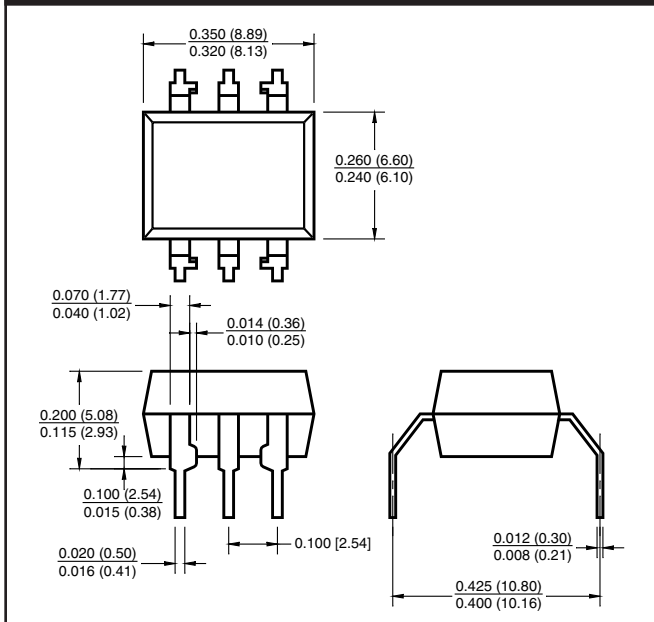
Package Dimensions (Through Hole)



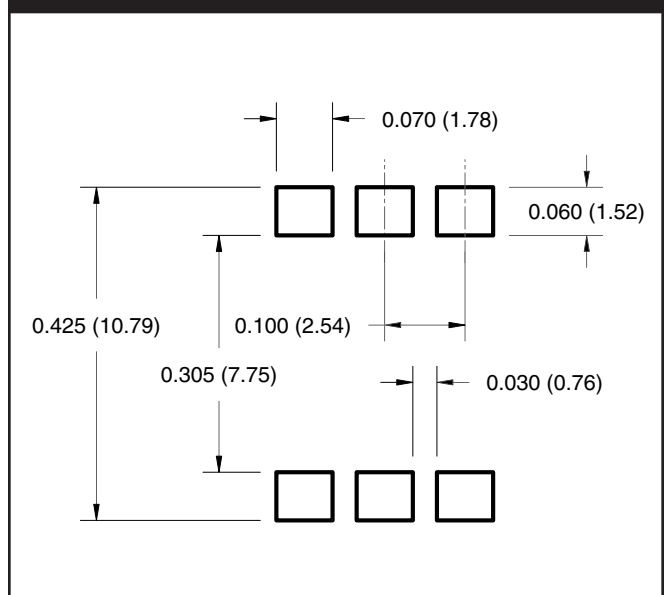
Package Dimensions (Surface Mount)



Package Dimensions (0.4" Lead Spacing)



**Recommended Pad Layout for
Surface Mount Leadform**



NOTE

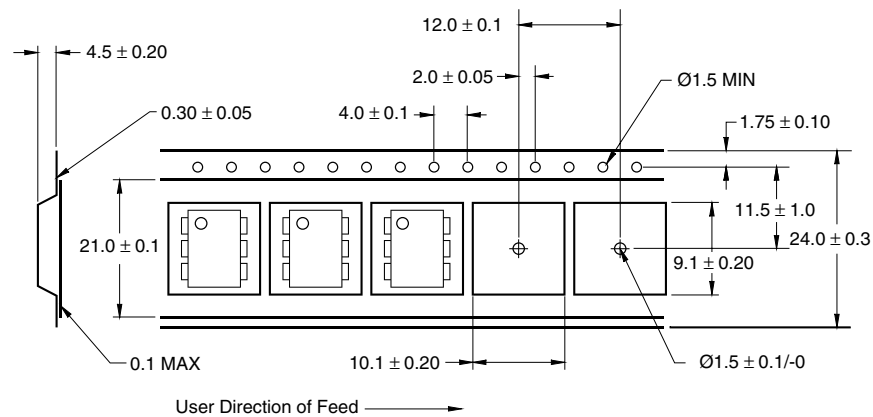
All dimensions are in inches (millimeters)

MOC3010M MOC3011M MOC3012M MOC3020M MOC3021M MOC3022M MOC3023M

ORDERING INFORMATION

Option	Order Entry Identifier	Description
S	S	Surface Mount Lead Bend
SR2	SR2	Surface Mount; Tape and reel
T	T	0.4" Lead Spacing
V	V	VDE 0884
TV	TV	VDE 0884, 0.4" Lead Spacing
SV	SV	VDE 0884, Surface Mount
SR2V	SR2V	VDE 0884, Surface Mount, Tape & Reel

Carrier Tape Specifications



NOTE

All dimensions are in inches (millimeters)

MOC3010M MOC3011M MOC3012M MOC3020M MOC3021M MOC3022M MOC3023M

DISCLAIMER

FAIRCHILD SEMICONDUCTOR RESERVES THE RIGHT TO MAKE CHANGES WITHOUT FURTHER NOTICE TO ANY PRODUCTS HEREIN TO IMPROVE RELIABILITY, FUNCTION OR DESIGN. FAIRCHILD DOES NOT ASSUME ANY LIABILITY ARISING OUT OF THE APPLICATION OR USE OF ANY PRODUCT OR CIRCUIT DESCRIBED HEREIN; NEITHER DOES IT CONVEY ANY LICENSE UNDER ITS PATENT RIGHTS, NOR THE RIGHTS OF OTHERS.

LIFE SUPPORT POLICY

FAIRCHILD'S PRODUCTS ARE NOT AUTHORIZED FOR USE AS CRITICAL COMPONENTS IN LIFE SUPPORT DEVICES OR SYSTEMS WITHOUT THE EXPRESS WRITTEN APPROVAL OF THE PRESIDENT OF FAIRCHILD SEMICONDUCTOR CORPORATION. As used herein:

1. Life support devices or systems are devices or systems which, (a) are intended for surgical implant into the body, or (b) support or sustain life, and (c) whose failure to perform when properly used in accordance with instructions for use provided in the labeling, can be reasonably expected to result in a significant injury of the user.
2. A critical component in any component of a life support device or system whose failure to perform can be reasonably expected to cause the failure of the life support device or system, or to affect its safety or effectiveness.

Fairchild Semiconductor

SEARCH | [Parametric](#) | [Cross Reference](#) | [Inventory](#)[space](#)[Product Folders and](#)[Applie](#)[find products](#)[Home >> Find products >>](#)[Products groups](#)[Analog and Mixed](#)[Signal](#)[Discrete](#)[Interface](#)[Logic](#)[Microcontrollers](#)[Non-Volatile](#)[Memory](#)[Optoelectronics](#)[Markets and applications](#)[New products](#)[Product selection and parametric search](#)[Cross-reference search](#)[technical information](#)[buy products](#)[technical support](#)[my Fairchild](#)[company](#)

MOC3010-M

6-Pin 250V Random Phase Triac Driver Output 6-PIN, DIP

Contents

[General description](#) | [Features](#) | [Applications](#) | [Ordering information](#) | [Product status/pricing/packaging](#) | [Safety agency certificates](#)

General description

The MOC301XM and MOC302XM series are optically isolated triac driver devices. These devices contain a GaAs infrared emitting diode and a light activated silicon bilateral switch, which functions like a triac. They are designed for interfacing between electronic controls and power triacs to control resistive and inductive loads for 115/240 VAC operations.

[back to top](#)

Features

- Excellent I_{FT} stability - IR emitting diode has low degradation
- High isolation voltage - minimum 5300 VAC RMS
- Underwriters Laboratory (UL) recognized - File #E90700
- Peak blocking voltage
 - 250V - MOC301XM
 - 400V - MOC302XM
- VDE recognized (File #94766)
 - Ordering option V (e.g. MOC3023VM)

[back to top](#)

Datasheet

[Download this datasheet](#)[PDF](#)[e-mail this datasheet](#)[\[E-](#)

This page

[Print version](#)[Related Links](#)[Request samples](#)[Dotted line](#)[How to order products](#)[Dotted line](#)[Product Change Notices \(PCNs\)](#)[Dotted line](#)[Support](#)[Dotted line](#)[Distributor and field sales representatives](#)[Dotted line](#)[Quality and reliability](#)[Dotted line](#)[Design tools](#)

Applications

- Industrial controls
- Traffic lights
- Vending machines
- Solid state relay
- Lamp ballasts
- Solenoid/valve controls
- Static AC power switch
- Incandescent lamp dimmers
- Motor control

[back to top](#)

Ordering information

The following options can be ordered with this part:

Option	Order Entry Identifier	Description
S	S	Surface Mount Lead Bend
SR2	SR2	Surface Mount; Tape and reel
T	T	0.4" Lead Spacing
V	V	VDE 0884
TV	TV	VDE 0884, 0.4" Lead Spacing
SV	SV	VDE 0884, Surface Mount
SR2V	SR2V	VDE 0884, Surface Mount, Tape & Reel

[back to top](#)

Product status/pricing/packaging

Product	Product status	Pricing*	Inventory check & ordering	Package type	Leads	Packing method
MOC3010SR2V-M	Full Production	\$0.255	Purchase	DIP	6	TAPE REEL
MOC3010S-M	Full Production	\$0.246	Purchase	DIP	6	BULK
MOC3010SV-M	Full Production	\$0.246	Purchase	DIP	6	BULK
MOC3010T-M	Full Production	\$0.246	Purchase	DIP	6	BULK
MOC3010F-M	Full Production	\$0.264	Purchase	N/A	N/A	BULK
MOC3010TV-M	Full Production	\$0.246	Purchase	N/A	N/A	BULK
MOC3010V-M	Full Production	\$0.246	Purchase	N/A	N/A	BULK
MOC3010-M	Full Production	\$0.246	Purchase	N/A	N/A	BULK

MOC3010FV-M	Full Production	\$0.264	Purchase	N/A	N/A	BULK
MOC3010FR2-M	Full Production	\$0.273	Purchase	DIP	6	TAPE REEL
MOC3010FR2V-M	Full Production	\$0.273	Purchase	DIP	6	TAPE REEL
MOC3010SR2-M	Full Production	\$0.255	Purchase	DIP	6	TAPE REEL

* Fairchild 1,000 piece Budgetary Pricing

[back to top](#)

Safety agency certificates

Certificate	Agency	
310983-01 (95 K)	DEMKO	DEMKO Testing & Certification
P01101866 (383 K)	NEMKO	NEMKO
CR/0117 (424 K)	BABT	British Approvals Board of Telecommunications
102497 (1629 K)	VDE	VDE Pruf-und Zertifizierungsinstitut
1113639 (111 K)	CSA	Canadian Standards Association
0134082 (136 K)	SEMKO	SEMKO
FI 17434 (47 K)	FIMKO	FIMKO
E90700, Vol. 2 (254 K)	UL	Underwriters Laboratories Inc.

[back to top](#)

[Home](#) | [Find products](#) | [Technical information](#) | [Buy products](#) |
[Support](#) | [Company](#) | [Contact us](#) | [Site index](#) | [Privacy policy](#)

© Copyright 2002 Fairchild Semiconductor

Fairchild Semiconductor

SEARCH | [Parametric](#) | [Cross Reference](#) | [Inventory](#)[space](#)[Product Folders and](#)[Applie](#)[find products](#)[Home >> Find products >>](#)[Products groups](#)[Analog and Mixed](#)[Signal](#)[Discrete](#)[Interface](#)[Logic](#)[Microcontrollers](#)[Non-Volatile](#)[Memory](#)[Optoelectronics](#)[Markets and applications](#)[New products](#)[Product selection and parametric search](#)[Cross-reference search](#)[technical information](#)[buy products](#)[technical support](#)[my Fairchild](#)[company](#)

MOC3011-M

6-Pin 250V Random Phase Triac Driver Output 6-PIN, DIP

Contents

[General description](#) | [Features](#) | [Applications](#) | [Ordering information](#) | [Product status/pricing/packaging](#) | [Safety agency certificates](#)

Datasheet

[Download this datasheet](#)[PDF](#)[e-mail this datasheet](#)[\[E-](#)

This page

[Print version](#)[Related Links](#)[Request samples](#)[Dotted line](#)[How to order products](#)[Dotted line](#)[Product Change Notices \(PCNs\)](#)[Dotted line](#)[Support](#)[Dotted line](#)[Distributor and field sales representatives](#)[Dotted line](#)[Quality and reliability](#)[Dotted line](#)[Design tools](#)

General description

The MOC301XM and MOC302XM series are optically isolated triac driver devices. These devices contain a GaAs infrared emitting diode and a light activated silicon bilateral switch, which functions like a triac. They are designed for interfacing between electronic controls and power triacs to control resistive and inductive loads for 115/240 VAC operations.

[back to top](#)

Features

- Excellent I_{FT} stability - IR emitting diode has low degradation
- High isolation voltage - minimum 5300 VAC RMS
- Underwriters Laboratory (UL) recognized - File #E90700
- Peak blocking voltage
 - 250V - MOC301XM
 - 400V - MOC302XM
- VDE recognized (File #94766)
 - Ordering option V (e.g. MOC3023VM)

[back to top](#)

Applications

- Industrial controls
- Traffic lights
- Vending machines
- Solid state relay
- Lamp ballasts
- Solenoid/valve controls
- Static AC power switch
- Incandescent lamp dimmers
- Motor control

[back to top](#)

Ordering information

The following options can be ordered with this part:

Option	Order Entry Identifier	Description
S	S	Surface Mount Lead Bend
SR2	SR2	Surface Mount; Tape and reel
T	T	0.4" Lead Spacing
V	V	VDE 0884
TV	TV	VDE 0884, 0.4" Lead Spacing
SV	SV	VDE 0884, Surface Mount
SR2V	SR2V	VDE 0884, Surface Mount, Tape & Reel

[back to top](#)

Product status/pricing/packaging

Product	Product status	Pricing*	Inventory check & ordering	Package type	Leads	Packing method
MOC3011FR2-M	Full Production	\$0.291	Purchase	DIP	6	TAPE REEL
MOC3011SR2-M	Full Production	\$0.273	Purchase	DIP	6	TAPE REEL
MOC3011SR2V-M	Full Production	\$0.273	Purchase	DIP	6	TAPE REEL
MOC3011S-M	Full Production	\$0.264	Purchase	DIP	6	BULK
MOC3011F-M	Full Production	\$0.281	Purchase	N/A	N/A	BULK
MOC3011SV-M	Full Production	\$0.264	Purchase	DIP	6	BULK
MOC3011TV-M	Full Production	\$0.264	Purchase	N/A	N/A	BULK
MOC3011V-M	Full Production	\$0.264	Purchase	N/A	N/A	BULK

MOC3011T-M	Full Production	\$0.264	Purchase	DIP	6	BULK
MOC3011-M	Full Production	\$0.264	Purchase	N/A	N/A	BULK
MOC3011FR2V-M	Full Production	\$0.291	Purchase	DIP	6	TAPE REEL
MOC3011FV-M	Full Production	\$0.281	Purchase	N/A	N/A	BULK

* Fairchild 1,000 piece Budgetary Pricing

[back to top](#)

Safety agency certificates

Certificate	Agency	
310983-01 (95 K)	DEMKO	DEMKO Testing & Certification
P01101866 (383 K)	NEMKO	NEMKO
CR/0117 (424 K)	BABT	British Approvals Board of Telecommunications
102497 (1629 K)	VDE	VDE Pruf-und Zertifizierungsinstitut
1113639 (111 K)	CSA	Canadian Standards Association
0134082 (136 K)	SEMKO	SEMKO
FI 17434 (47 K)	FIMKO	FIMKO
E90700, Vol. 2 (254 K)	UL	Underwriters Laboratories Inc.

[back to top](#)

[Home](#) | [Find products](#) | [Technical information](#) | [Buy products](#) |
[Support](#) | [Company](#) | [Contact us](#) | [Site index](#) | [Privacy policy](#)

© Copyright 2002 Fairchild Semiconductor

Fairchild Semiconductor

SEARCH | [Parametric](#) | [Cross Reference](#) | [Inventory](#)[space](#)[Product Folders and](#)[Applie](#)[find products](#)[Home](#) >> [Find products](#) >>[Products groups](#)[Analog and Mixed](#)[Signal](#)[Discrete](#)[Interface](#)[Logic](#)[Microcontrollers](#)[Non-Volatile](#)[Memory](#)[Optoelectronics](#)[Markets and applications](#)[New products](#)[Product selection and parametric search](#)[Cross-reference search](#)[technical information](#)[buy products](#)[technical support](#)[my Fairchild](#)[company](#)

MOC3012-M

6-Pin 250V Random Phase Triac Driver Output 6-PIN, DIP

Contents

[General description](#) | [Features](#) | [Applications](#) | [Ordering information](#) | [Product status/pricing/packaging](#) | [Safety agency certificates](#)

General description

The MOC301XM and MOC302XM series are optically isolated triac driver devices. These devices contain a GaAs infrared emitting diode and a light activated silicon bilateral switch, which functions like a triac. They are designed for interfacing between electronic controls and power triacs to control resistive and inductive loads for 115/240 VAC operations.

[back to top](#)

Features

- Excellent I_{FT} stability - IR emitting diode has low degradation
- High isolation voltage - minimum 5300 VAC RMS
- Underwriters Laboratory (UL) recognized - File #E90700
- Peak blocking voltage
 - 250V - MOC301XM
 - 400V - MOC302XM
- VDE recognized (File #94766)
 - Ordering option V (e.g. MOC3023VM)

[back to top](#)

Datasheet

[Download this datasheet](#)[PDF](#)[e-mail this datasheet](#)[\[E-](#)

This page

[Print version](#)[Related Links](#)[Request samples](#)[Dotted line](#)[How to order products](#)[Dotted line](#)[Product Change Notices \(PCNs\)](#)[Dotted line](#)[Support](#)[Dotted line](#)[Distributor and field sales representatives](#)[Dotted line](#)[Quality and reliability](#)[Dotted line](#)[Design tools](#)

Applications

- Industrial controls
- Traffic lights
- Vending machines
- Solid state relay
- Lamp ballasts
- Solenoid/valve controls
- Static AC power switch
- Incandescent lamp dimmers
- Motor control

[back to top](#)

Ordering information

The following options can be ordered with this part:

Option	Order Entry Identifier	Description
S	S	Surface Mount Lead Bend
SR2	SR2	Surface Mount; Tape and reel
T	T	0.4" Lead Spacing
V	V	VDE 0884
TV	TV	VDE 0884, 0.4" Lead Spacing
SV	SV	VDE 0884, Surface Mount
SR2V	SR2V	VDE 0884, Surface Mount, Tape & Reel

[back to top](#)

Product status/pricing/packaging

Product	Product status	Pricing*	Inventory check & ordering	Package type	Leads	Packing method
MOC3012FV-M	Full Production	\$0.316	Purchase	N/A	N/A	BULK
MOC3012F-M	Full Production	\$0.316	Purchase	N/A	N/A	BULK
MOC3012FR2V-M	Full Production	\$0.326	Purchase	DIP	6	TAPE REEL
MOC3012T-M	Full Production	\$0.299	Purchase	DIP	6	BULK
MOC3012TV-M	Full Production	\$0.299	Purchase	N/A	N/A	BULK
MOC3012SR2V-M	Full Production	\$0.308	Purchase	DIP	6	TAPE REEL
MOC3012FR2-M	Full Production	\$0.326	Purchase	DIP	6	TAPE REEL
MOC3012-M	Full Production	\$0.299	Purchase	N/A	N/A	BULK

MOC3012SV-M	Full Production	\$0.299	Purchase	DIP	6	BULK
MOC3012SR2-M	Full Production	\$0.308	Purchase	DIP	6	TAPE REEL
MOC3012S-M	Full Production	\$0.299	Purchase	DIP	6	BULK
MOC3012V-M	Full Production	\$0.299	Purchase	N/A	N/A	BULK

* Fairchild 1,000 piece Budgetary Pricing

[back to top](#)

Safety agency certificates

Certificate	Agency	
310983-01 (95 K)	DEMKO	DEMKO Testing & Certification
P01101866 (383 K)	NEMKO	NEMKO
CR/0117 (424 K)	BABT	British Approvals Board of Telecommunications
102497 (1629 K)	VDE	VDE Pruf-und Zertifizierungsinstitut
1113639 (111 K)	CSA	Canadian Standards Association
0134082 (136 K)	SEMKO	SEMKO
FI 17434 (47 K)	FIMKO	FIMKO
E90700, Vol. 2 (254 K)	UL	Underwriters Laboratories Inc.

[back to top](#)

[Home](#) | [Find products](#) | [Technical information](#) | [Buy products](#) |
[Support](#) | [Company](#) | [Contact us](#) | [Site index](#) | [Privacy policy](#)

© Copyright 2002 Fairchild Semiconductor

Fairchild Semiconductor

SEARCH | [Parametric](#) | [Cross Reference](#) | [Inventory](#)[space](#)[Product Folders and](#)[Applie](#)[find products](#)[Home](#) >> [Find products](#) >>[Products groups](#)[Analog and Mixed](#)[Signal](#)[Discrete](#)[Interface](#)[Logic](#)[Microcontrollers](#)[Non-Volatile](#)[Memory](#)[Optoelectronics](#)[Markets and applications](#)[New products](#)[Product selection and parametric search](#)[Cross-reference search](#)[technical information](#)[buy products](#)[technical support](#)[my Fairchild](#)[company](#)

MOC3020-M

6-Pin 400V Random Phase Triac Driver Output 6-PIN, DIP

Contents

[General description](#) | [Features](#) | [Applications](#) | [Ordering information](#) | [Product status/pricing/packaging](#) | [Safety agency certificates](#)

General description

The MOC301XM and MOC302XM series are optically isolated triac driver devices. These devices contain a GaAs infrared emitting diode and a light activated silicon bilateral switch, which functions like a triac. They are designed for interfacing between electronic controls and power triacs to control resistive and inductive loads for 115/240 VAC operations.

[back to top](#)

Features

- Excellent I_{FT} stability - IR emitting diode has low degradation
- High isolation voltage - minimum 5300 VAC RMS
- Underwriters Laboratory (UL) recognized - File #E90700
- Peak blocking voltage
 - 250V - MOC301XM
 - 400V - MOC302XM
- VDE recognized (File #94766)
 - Ordering option V (e.g. MOC3023VM)

[back to top](#)

Datasheet

[Download this datasheet](#)[PDF](#)[e-mail this datasheet](#)[\[E-](#)

This page

[Print version](#)[Related Links](#)[Request samples](#)[Dotted line](#)[How to order products](#)[Dotted line](#)[Product Change Notices \(PCNs\)](#)[Dotted line](#)[Support](#)[Dotted line](#)[Distributor and field sales representatives](#)[Dotted line](#)[Quality and reliability](#)[Dotted line](#)[Design tools](#)

Applications

- Industrial controls
- Traffic lights
- Vending machines
- Solid state relay
- Lamp ballasts
- Solenoid/valve controls
- Static AC power switch
- Incandescent lamp dimmers
- Motor control

[back to top](#)

Ordering information

The following options can be ordered with this part:

Option	Order Entry Identifier	Description
S	S	Surface Mount Lead Bend
SR2	SR2	Surface Mount; Tape and reel
T	T	0.4" Lead Spacing
V	V	VDE 0884
TV	TV	VDE 0884, 0.4" Lead Spacing
SV	SV	VDE 0884, Surface Mount
SR2V	SR2V	VDE 0884, Surface Mount, Tape & Reel

[back to top](#)

Product status/pricing/packaging

Product	Product status	Pricing*	Inventory check & ordering	Package type	Leads	Packing method
MOC3020SV-M	Full Production	\$0.246	Purchase	DIP	6	BULK
MOC3020-M	Full Production	\$0.246	Purchase	N/A	N/A	BULK
MOC3020T-M	Full Production	\$0.246	Purchase	DIP	6	BULK
MOC3020V-M	Full Production	\$0.246	Purchase	N/A	N/A	BULK
MOC3020S-M	Full Production	\$0.246	Purchase	DIP	6	BULK
MOC3020FR2-M	Full Production	\$0.273	Purchase	DIP	6	TAPE REEL
MOC3020TV-M	Full Production	\$0.246	Purchase	N/A	N/A	BULK
MOC3020SR2V-M	Full Production	\$0.255	Purchase	DIP	6	TAPE REEL

MOC3020SR2-M	Full Production	\$0.255	Purchase	DIP	6	TAPE REEL
MOC3020F-M	Full Production	\$0.264	Purchase	N/A	N/A	BULK
MOC3020FV-M	Full Production	\$0.264	Purchase	N/A	N/A	BULK
MOC3020FR2V-M	Full Production	\$0.273	Purchase	DIP	6	TAPE REEL

* Fairchild 1,000 piece Budgetary Pricing

[back to top](#)

Safety agency certificates

Certificate	Agency	
310983-01 (95 K)	DEMKO	DEMKO Testing & Certification
P01101866 (383 K)	NEMKO	NEMKO
102497 (1629 K)	VDE	VDE Pruf-und Zertifizierungsinstitut
0134082 (136 K)	SEMKO	SEMKO
FI 17434 (47 K)	FIMKO	FIMKO

[back to top](#)

[Home](#) | [Find products](#) | [Technical information](#) | [Buy products](#) | [Support](#) | [Company](#) | [Contact us](#) | [Site index](#) | [Privacy policy](#)

© Copyright 2002 Fairchild Semiconductor

Fairchild Semiconductor

SEARCH | [Parametric](#) | [Cross Reference](#) | [Inventory](#)[space](#)[Product Folders and](#)[Applie](#)[find products](#)[Home](#) >> [Find products](#) >>[Products groups](#)[Analog and Mixed](#)[Signal](#)[Discrete](#)[Interface](#)[Logic](#)[Microcontrollers](#)[Non-Volatile](#)[Memory](#)[Optoelectronics](#)[Markets and applications](#)[New products](#)[Product selection and parametric search](#)[Cross-reference search](#)[technical information](#)[buy products](#)[technical support](#)[my Fairchild](#)[company](#)

MOC3021-M

6-Pin 400V Random Phase Triac Driver
Output 6-PIN, DIP

Contents

[General description](#) | [Features](#) | [Applications](#) | [Ordering information](#) | [Product status/pricing/packaging](#) | [Safety agency certificates](#)

General description

The MOC301XM and MOC302XM series are optically isolated triac driver devices. These devices contain a GaAs infrared emitting diode and a light activated silicon bilateral switch, which functions like a triac. They are designed for interfacing between electronic controls and power triacs to control resistive and inductive loads for 115/240 VAC operations.

[back to top](#)

Features

- Excellent I_{FT} stability - IR emitting diode has low degradation
- High isolation voltage - minimum 5300 VAC RMS
- Underwriters Laboratory (UL) recognized - File #E90700
- Peak blocking voltage
 - 250V - MOC301XM
 - 400V - MOC302XM
- VDE recognized (File #94766)
 - Ordering option V (e.g. MOC3023VM)

[back to top](#)

Datasheet

[Download this datasheet](#)[PDF](#)[e-mail this datasheet](#)[\[E-](#)

This page

[Print version](#)[Related Links](#)[Request samples](#)[Dotted line](#)[How to order products](#)[Dotted line](#)[Product Change Notices \(PCNs\)](#)[Dotted line](#)[Support](#)[Dotted line](#)[Distributor and field sales representatives](#)[Dotted line](#)[Quality and reliability](#)[Dotted line](#)[Design tools](#)

Applications

- Industrial controls
- Traffic lights
- Vending machines
- Solid state relay
- Lamp ballasts
- Solenoid/valve controls
- Static AC power switch
- Incandescent lamp dimmers
- Motor control

[back to top](#)

Ordering information

The following options can be ordered with this part:

Option	Order Entry Identifier	Description
S	S	Surface Mount Lead Bend
SR2	SR2	Surface Mount; Tape and reel
T	T	0.4" Lead Spacing
V	V	VDE 0884
TV	TV	VDE 0884, 0.4" Lead Spacing
SV	SV	VDE 0884, Surface Mount
SR2V	SR2V	VDE 0884, Surface Mount, Tape & Reel

[back to top](#)

Product status/pricing/packaging

Product	Product status	Pricing*	Inventory check & ordering	Package type	Leads	Packing method
MOC3021FV-M	Full Production	\$0.281	Purchase	N/A	N/A	BULK
MOC3021SR2-M	Full Production	\$0.273	Purchase	DIP	6	TAPE REEL
MOC3021V-M	Full Production	\$0.264	Purchase	N/A	N/A	BULK
MOC3021S-M	Full Production	\$0.264	Purchase	DIP	6	BULK
MOC3021FR2V-M	Full Production	\$0.291	Purchase	DIP	6	TAPE REEL
MOC3021SR2V-M	Full Production	\$0.273	Purchase	DIP	6	TAPE REEL
MOC3021F-M	Full Production	\$0.281	Purchase	N/A	N/A	BULK
MOC3021SV-M	Full Production	\$0.264	Purchase	DIP	6	BULK

MOC3021FR2-M	Full Production	\$0.291	Purchase	DIP	6	TAPE REEL
MOC3021-M	Full Production	\$0.264	Purchase	N/A	N/A	BULK
MOC3021T-M	Full Production	\$0.264	Purchase	DIP	6	BULK
MOC3021TV-M	Full Production	\$0.264	Purchase	N/A	N/A	BULK

* Fairchild 1,000 piece Budgetary Pricing

[back to top](#)

Safety agency certificates

Certificate	Agency	
310983-01 (95 K)	DEMKO	DEMKO Testing & Certification
P01101866 (383 K)	NEMKO	NEMKO
CR/0117 (424 K)	BABT	British Approvals Board of Telecommunications
102497 (1629 K)	VDE	VDE Pruf-und Zertifizierungsinstitut
1113639 (111 K)	CSA	Canadian Standards Association
0134082 (136 K)	SEMKO	SEMKO
FI 17434 (47 K)	FIMKO	FIMKO
E90700, Vol. 2 (254 K)	UL	Underwriters Laboratories Inc.

[back to top](#)

[Home](#) | [Find products](#) | [Technical information](#) | [Buy products](#) |
[Support](#) | [Company](#) | [Contact us](#) | [Site index](#) | [Privacy policy](#)

© Copyright 2002 Fairchild Semiconductor

Fairchild Semiconductor

SEARCH | [Parametric](#) | [Cross Reference](#) | [Inventory](#)[space](#)[Product Folders and](#)[Applic](#)[find products](#)[Home >> Find products >>](#)[Products groups](#)[Analog and Mixed](#)[Signal](#)[Discrete](#)[Interface](#)[Logic](#)[Microcontrollers](#)[Non-Volatile](#)[Memory](#)[Optoelectronics](#)[Markets and applications](#)[New products](#)[Product selection and parametric search](#)[Cross-reference search](#)[technical information](#)[buy products](#)[technical support](#)[my Fairchild](#)[company](#)

MOC3022-M

6-Pin 400V Random Phase Triac Driver Output 6-PIN, DIP

Contents

[General description](#) | [Features](#) | [Applications](#) | [Ordering information](#) | [Product status/pricing/packaging](#) | [Safety agency certificates](#)

General description

The MOC301XM and MOC302XM series are optically isolated triac driver devices. These devices contain a GaAs infrared emitting diode and a light activated silicon bilateral switch, which functions like a triac. They are designed for interfacing between electronic controls and power triacs to control resistive and inductive loads for 115/240 VAC operations.

[back to top](#)

Features

- Excellent I_{FT} stability - IR emitting diode has low degradation
- High isolation voltage - minimum 5300 VAC RMS
- Underwriters Laboratory (UL) recognized - File #E90700
- Peak blocking voltage
 - 250V - MOC301XM
 - 400V - MOC302XM
- VDE recognized (File #94766)
 - Ordering option V (e.g. MOC3023VM)

[back to top](#)

Datasheet

[Download this datasheet](#)[PDF](#)[e-mail this datasheet](#)[\[E-](#)

This page

[Print version](#)[Related Links](#)[Request samples](#)[Dotted line](#)[How to order products](#)[Dotted line](#)[Product Change Notices \(PCNs\)](#)[Dotted line](#)[Support](#)[Dotted line](#)[Distributor and field sales representatives](#)[Dotted line](#)[Quality and reliability](#)[Dotted line](#)[Design tools](#)

Applications

- Industrial controls
- Traffic lights
- Vending machines
- Solid state relay
- Lamp ballasts
- Solenoid/valve controls
- Static AC power switch
- Incandescent lamp dimmers
- Motor control

[back to top](#)

Ordering information

The following options can be ordered with this part:

Option	Order Entry Identifier	Description
S	S	Surface Mount Lead Bend
SR2	SR2	Surface Mount; Tape and reel
T	T	0.4" Lead Spacing
V	V	VDE 0884
TV	TV	VDE 0884, 0.4" Lead Spacing
SV	SV	VDE 0884, Surface Mount
SR2V	SR2V	VDE 0884, Surface Mount, Tape & Reel

[back to top](#)

Product status/pricing/packaging

Product	Product status	Pricing*	Inventory check & ordering	Package type	Leads	Packing method
MOC3022FR2V-M	Full Production	\$0.308	Purchase	DIP	6	TAPE REEL
MOC3022T-M	Full Production	\$0.281	Purchase	DIP	6	BULK
MOC3022V-M	Full Production	\$0.281	Purchase	N/A	N/A	BULK
MOC3022F-M	Full Production	\$0.299	Purchase	N/A	N/A	BULK
MOC3022-M	Full Production	\$0.281	Purchase	N/A	N/A	BULK
MOC3022TV-M	Full Production	\$0.281	Purchase	N/A	N/A	BULK
MOC3022S-M	Full Production	\$0.281	Purchase	DIP	6	BULK
MOC3022FV-M	Full Production	\$0.299	Purchase	N/A	N/A	BULK

MOC3022FR2-M	Full Production	\$0.308	Purchase	DIP	6	TAPE REEL
MOC3022SV-M	Full Production	\$0.281	Purchase	DIP	6	BULK
MOC3022SR2-M	Full Production	\$0.291	Purchase	DIP	6	TAPE REEL
MOC3022SR2V-M	Full Production	\$0.291	Purchase	DIP	6	TAPE REEL

* Fairchild 1,000 piece Budgetary Pricing

[back to top](#)

Safety agency certificates

Certificate	Agency	
310983-01 (95 K)	DEMKO	DEMKO Testing & Certification
P01101866 (383 K)	NEMKO	NEMKO
CR/0117 (424 K)	BABT	British Approvals Board of Telecommunications
102497 (1629 K)	VDE	VDE Pruf-und Zertifizierungsinstitut
1113639 (111 K)	CSA	Canadian Standards Association
0134082 (136 K)	SEMKO	SEMKO
FI 17434 (47 K)	FIMKO	FIMKO
E90700, Vol. 2 (254 K)	UL	Underwriters Laboratories Inc.

[back to top](#)

[Home](#) | [Find products](#) | [Technical information](#) | [Buy products](#) |
[Support](#) | [Company](#) | [Contact us](#) | [Site index](#) | [Privacy policy](#)

© Copyright 2002 Fairchild Semiconductor

Fairchild Semiconductor

SEARCH | [Parametric](#) | [Cross Reference](#) | [Inventory](#)[space](#)[Product Folders and](#)[Applie](#)[find products](#)[Home >> Find products >>](#)[Products groups](#)[Analog and Mixed](#)[Signal](#)[Discrete](#)[Interface](#)[Logic](#)[Microcontrollers](#)[Non-Volatile](#)[Memory](#)[Optoelectronics](#)[Markets and applications](#)[New products](#)[Product selection and parametric search](#)[Cross-reference search](#)[technical information](#)[buy products](#)[technical support](#)[my Fairchild](#)[company](#)

MOC3023-M

6-Pin 400V Random Phase Triac Driver Output 6-PIN, DIP

Contents

[General description](#) | [Features](#) | [Applications](#) | [Ordering information](#) | [Product status/pricing/packaging](#) | [Safety agency certificates](#)

Datasheet

[Download this datasheet](#)[PDF](#)[e-mail this datasheet](#)[\[E-](#)

This page

[Print version](#)[Related Links](#)[Request samples](#)[Dotted line](#)[How to order products](#)[Dotted line](#)[Product Change Notices \(PCNs\)](#)[Dotted line](#)[Support](#)[Dotted line](#)[Distributor and field sales representatives](#)[Dotted line](#)[Quality and reliability](#)[Dotted line](#)[Design tools](#)

General description

The MOC301XM and MOC302XM series are optically isolated triac driver devices. These devices contain a GaAs infrared emitting diode and a light activated silicon bilateral switch, which functions like a triac. They are designed for interfacing between electronic controls and power triacs to control resistive and inductive loads for 115/240 VAC operations.

[back to top](#)

Features

- Excellent I_{FT} stability - IR emitting diode has low degradation
- High isolation voltage - minimum 5300 VAC RMS
- Underwriters Laboratory (UL) recognized - File #E90700
- Peak blocking voltage
 - 250V - MOC301XM
 - 400V - MOC302XM
- VDE recognized (File #94766)
 - Ordering option V (e.g. MOC3023VM)

[back to top](#)

Applications

- Industrial controls
- Traffic lights
- Vending machines
- Solid state relay
- Lamp ballasts
- Solenoid/valve controls
- Static AC power switch
- Incandescent lamp dimmers
- Motor control

[back to top](#)

Ordering information

The following options can be ordered with this part:

Option	Order Entry Identifier	Description
S	S	Surface Mount Lead Bend
SR2	SR2	Surface Mount; Tape and reel
T	T	0.4" Lead Spacing
V	V	VDE 0884
TV	TV	VDE 0884, 0.4" Lead Spacing
SV	SV	VDE 0884, Surface Mount
SR2V	SR2V	VDE 0884, Surface Mount, Tape & Reel

[back to top](#)

Product status/pricing/packaging

Product	Product status	Pricing*	Inventory check & ordering	Package type	Leads	Packing method
MOC3023FR2-M	Full Production	\$0.344	Purchase	DIP	6	TAPE REEL
MOC3023SR2-M	Full Production	\$0.326	Purchase	DIP	6	TAPE REEL
MOC3023SR2V-M	Full Production	\$0.326	Purchase	DIP	6	TAPE REEL
MOC3023SV-M	Full Production	\$0.316	Purchase	DIP	6	BULK
MOC3023TV-M	Full Production	\$0.316	Purchase	N/A	N/A	BULK
MOC3023T-M	Full Production	\$0.316	Purchase	DIP	6	BULK
MOC3023FV-M	Full Production	\$0.334	Purchase	N/A	N/A	BULK
MOC3023F-M	Full Production	\$0.334	Purchase	N/A	N/A	BULK

MOC3023FR2V-M	Full Production	\$0.344	Purchase	DIP	6	TAPE REEL
MOC3023-M	Full Production	\$0.316	Purchase	N/A	N/A	BULK
MOC3023S-M	Full Production	\$0.316	Purchase	DIP	6	BULK
MOC3023V-M	Full Production	\$0.316	Purchase	N/A	N/A	BULK

* Fairchild 1,000 piece Budgetary Pricing

[back to top](#)

Safety agency certificates

Certificate	Agency	
310983-01 (95 K)	DEMKO	DEMKO Testing & Certification
P01101866 (383 K)	NEMKO	NEMKO
CR/0117 (424 K)	BABT	British Approvals Board of Telecommunications
102497 (1629 K)	VDE	VDE Pruf-und Zertifizierungsinstitut
1113639 (111 K)	CSA	Canadian Standards Association
0134082 (136 K)	SEMKO	SEMKO
FI 17434 (47 K)	FIMKO	FIMKO
E90700, Vol. 2 (254 K)	UL	Underwriters Laboratories Inc.

[back to top](#)

[Home](#) | [Find products](#) | [Technical information](#) | [Buy products](#) |
[Support](#) | [Company](#) | [Contact us](#) | [Site index](#) | [Privacy policy](#)

© Copyright 2002 Fairchild Semiconductor